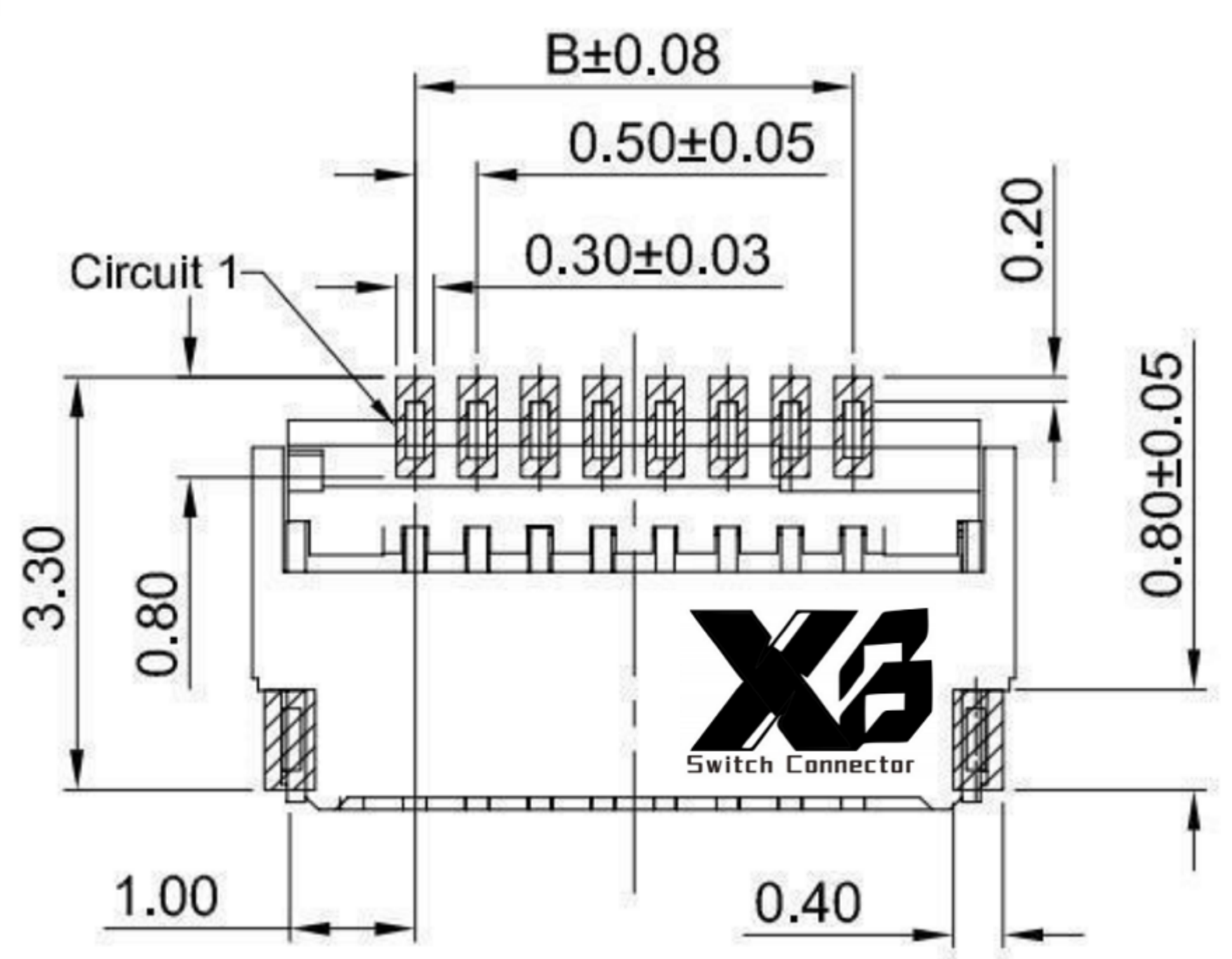
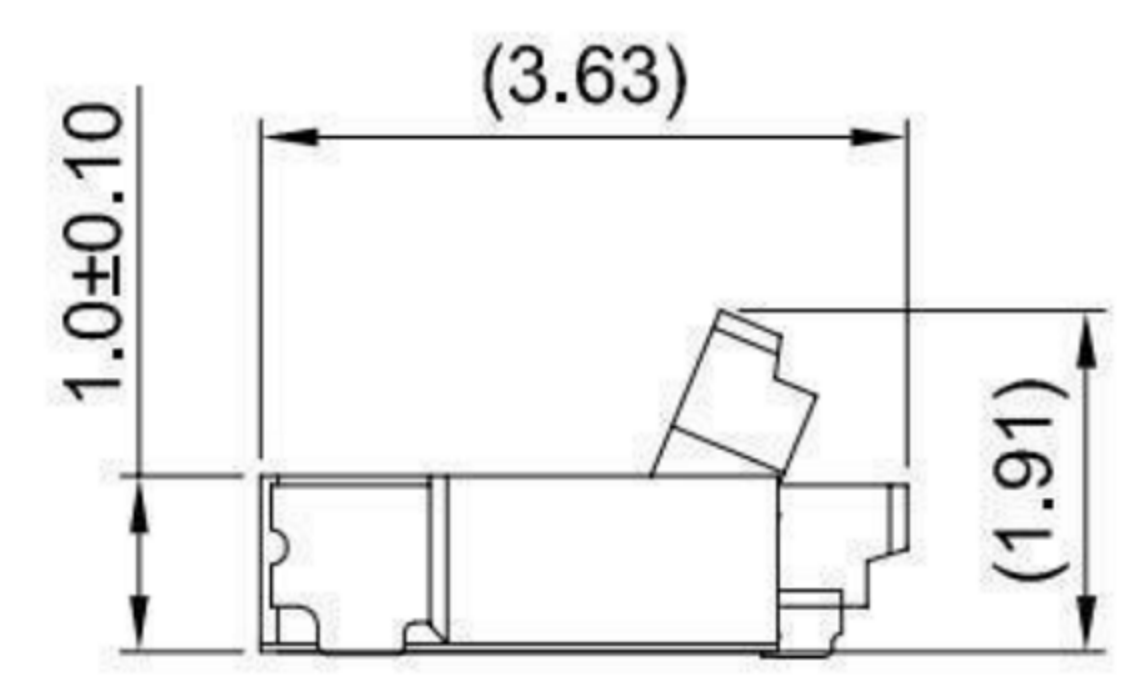
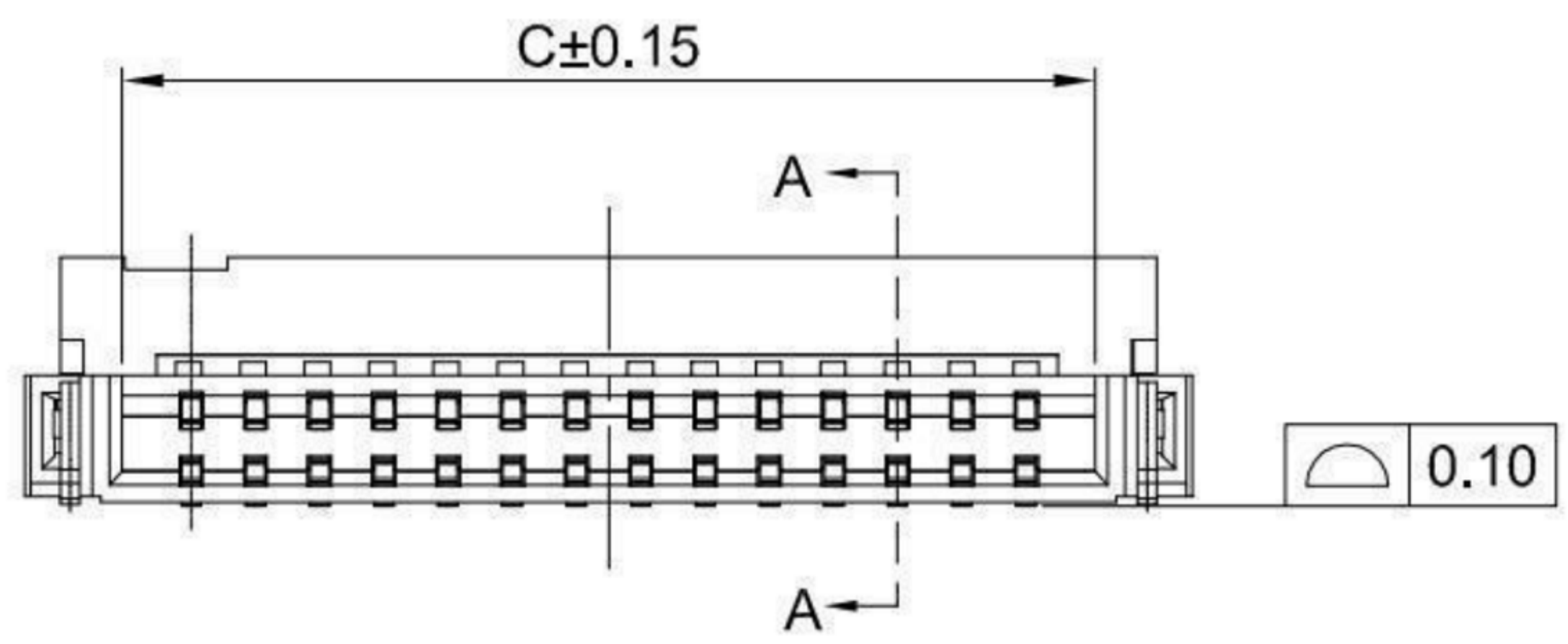


XB-FPC-0508 S R 10 -XX X XX 01

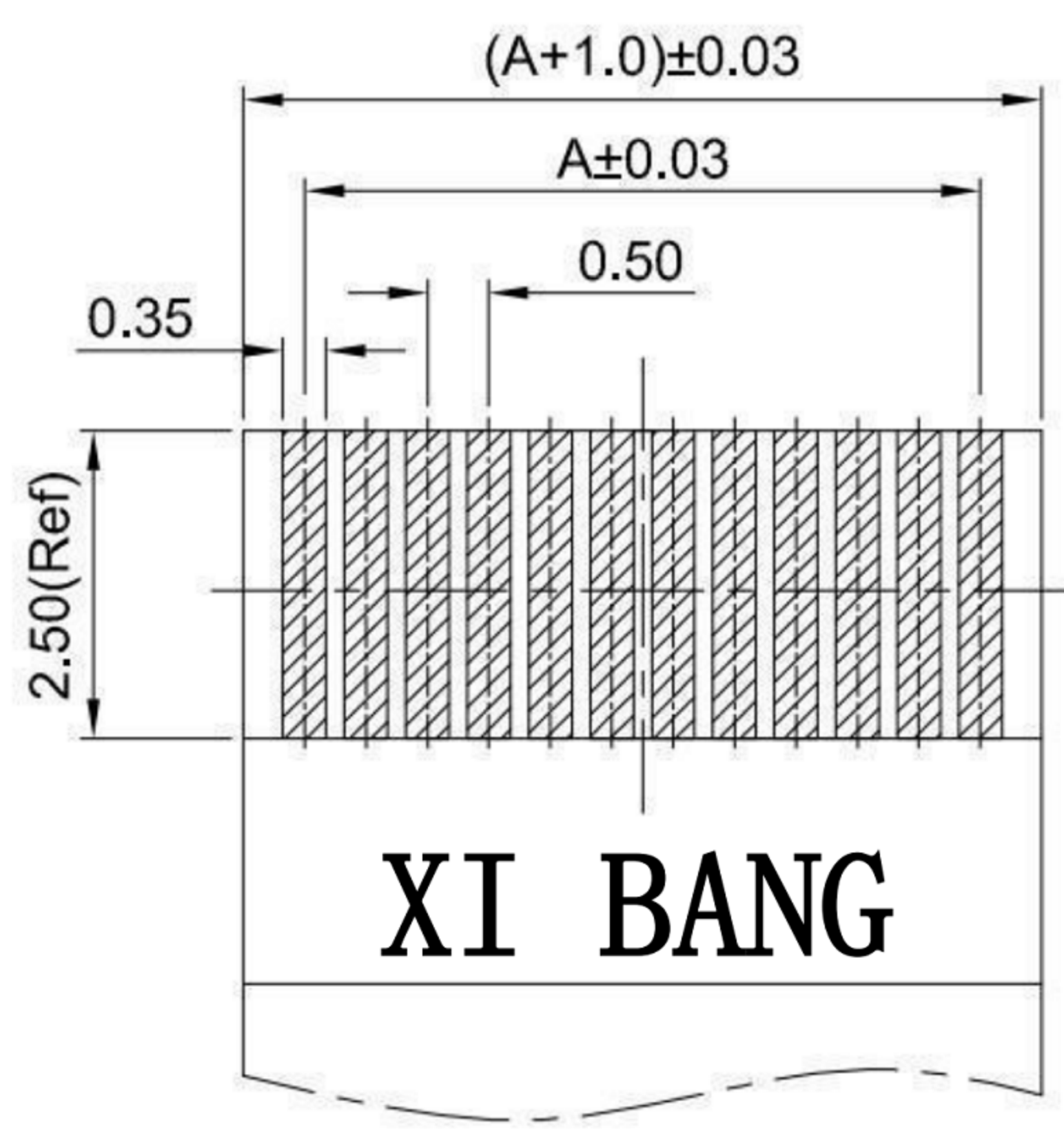
XB connector
Series No
Termipoint S-SMT
Angle R-90°
Terminal Plating 01-G/F
Housing Colour S-Nature
Pin Q' PY 04~40
Height 10-1.0mm

XB-FPC specifications:

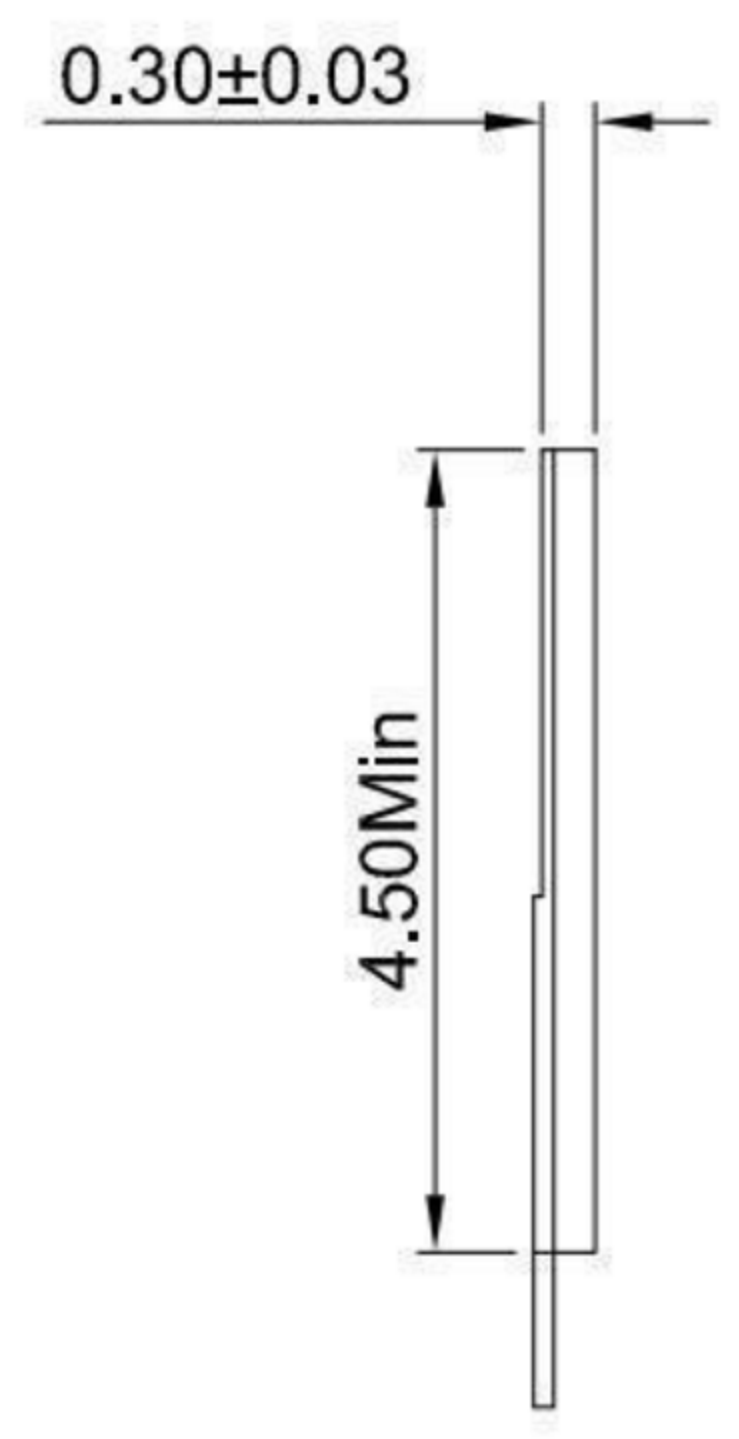
1. Current rated: 0.5A AC/DC
2. Voltage rating: 50V AC/DC
3. Withstanding voltage: 200V AC for 1 min
4. Contact resistance: 40mΩ max.
5. Insulation resistance: 40MΩ min
6. Durability cycle: 30Cycles
7. Removal force: 0.04kgf/Pin min
8. Operating temperature range: -25°C ~ +85°C



RECOMMENDED PCB LAYOUT
TOLERANCE: ±0.05



APPLICABLE FPC



Ordering Information:

Circuit	Dimensions(mm)			Circuit	Dimensions(mm)		
	A	B	C		A	B	C
04	4.00	1.50	2.60	20	12.00	9.50	10.60
05	4.50	2.00	3.10	22	13.00	10.50	11.60
06	5.00	2.50	3.60	24	14.00	11.50	12.60
08	6.00	3.50	4.60	26	15.00	12.50	13.60
10	7.00	4.50	5.60	28	16.00	13.50	14.60
12	8.00	5.50	6.60	30	17.00	14.50	15.60
13	8.50	6.00	7.10	32	18.00	15.50	16.60
14	9.00	6.50	7.60	34	19.00	16.50	17.60
16	10.00	7.50	8.60	36	20.00	17.50	18.60
17	10.50	8.00	9.10	38	21.00	18.50	19.60
18	11.00	8.50	9.60	40	22.00	19.50	20.60

XB 东莞市溪榜电子有限公司
DONG GUAN XI BANG ELECTRONICS CO., LTD.

TOLERANCE UNLESS OTHERWISE STATED:
 Up to 5 ±0.2
 Above 5 ~ 15 ±0.3
 Above 15 ~ 30 ±0.4
 Above 30 ~ 50 ±0.5
 Angle ±0.3°

3RD. ANGEL'S

UNITS MM

DRAWN BY:	DATE	MAT'L	TITLE	CONNECTOR
Jack Lu	03/10/22		MODLE	FPC 0.50mm Pitch 90° SMT Type H1.00mm Back Flip Connector
CHECKED BY:	DATE	FINISH	DWG NO.	XB-FPC-0508SR10
Jacky Chen	03/10/22		PART NO.	
APPROVED BY:	DATE	SCALE	SHEET NO.	1 of 1
Tony Kao	03/10/22	1 : 1		

1	更新圖面	Jack	031022
ITEM NO.	DESCRIPTION	DRAWN	DATE