

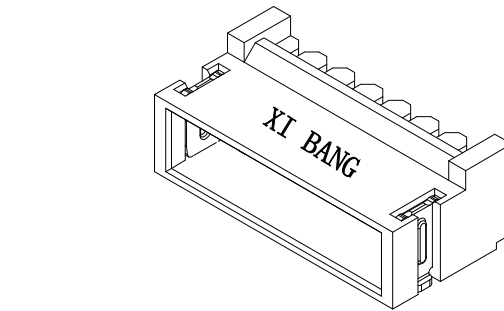
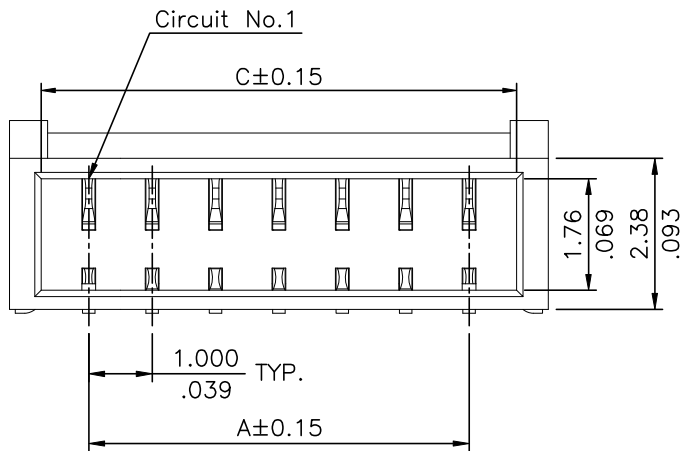
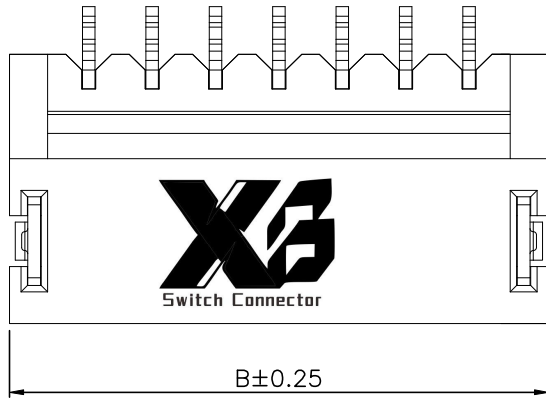
Notes:

Base: High temperature plastic UL 94V-0, Color Nature

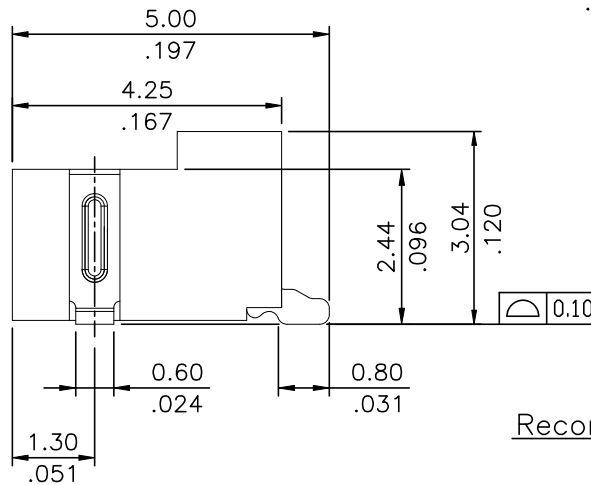
Contact: Copper alloy

Tab: Copper alloy with Matte Tin plated

For Lead Free IR Reflow Processes



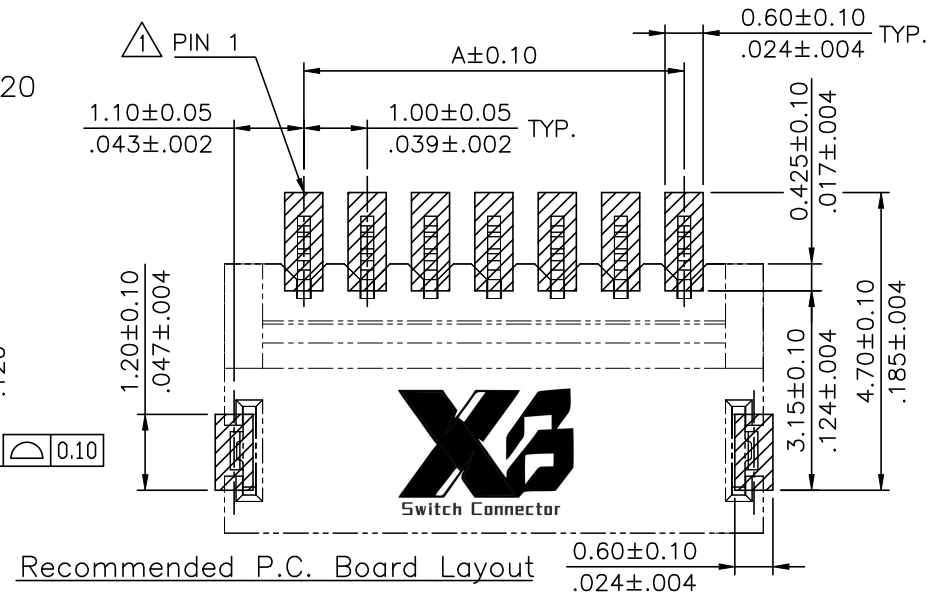
DIM. A = 1.00 x NO. OF SPACES
 DIM. B = DIM. A + 2.50
 DIM. C = DIM. A + 1.50
 * AVAILABLE IN 2 THROUGH 20




Ordering Code:

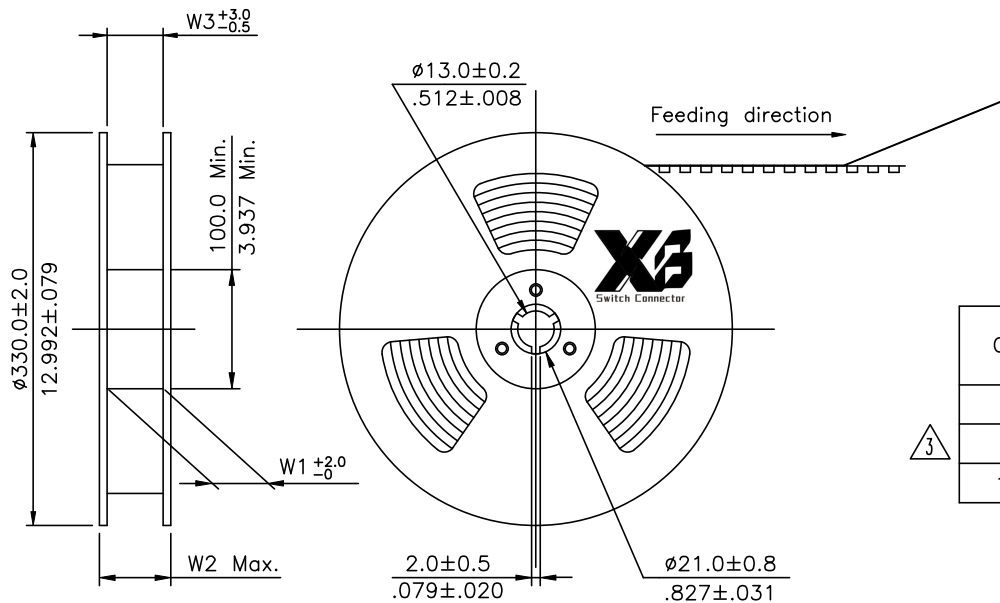
CI14 ** M 1 H R L - NH
 ① ② ③ ④ ⑤ ⑥ ⑦ ⑧

- ① Series No.
- ② No. of Circuits: 2~20 Pin
- ③ M= SMT type header
- △△④ Plating: 1= Matte Tin Plating over Nickel
- ⑤ Type: H= Side Entry
- ⑥ Packing Options: R= Tape & Reel packing
- ⑦ Option: L= With Locking Ramp
- ⑧ Other option:
 -NH= For Lead Free IR Processes and Halogen-Free



Halogen-Free Lead Free Process RoHS Compliant

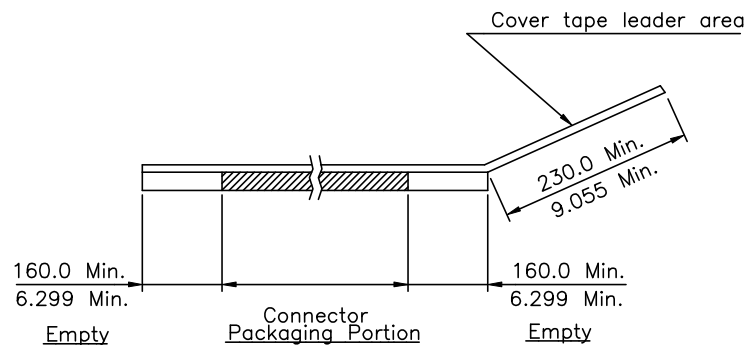
④	Amy	12/11-23'	ECNT123179/ECRB123029		DATE	UNIT: mm / inch	TITLE: 1.00MM(.079") WIRE TO BOARD CONNECTOR	 东莞市溪榜电子有限公司 DONG GUAN XI BANG ELECTRONI CS CO., LTD.
③	Ellie	6/3-15'	ECNT115129/ECRH115027	DRAWN BY:	Amy	12/11-23'	TOLERANCE UNLESS OTHERWISE SPECIFIED	
②	Tim	12/20-10'	ECN10402	ENGINEER:	Sun	12/11-23'	.X ± 0.25/.010 X' ± 1'	
①	Tim	10/21-10'	ECN10350	CHECKED BY:	Eisley	12/11-23'	.XX ± 0.15/.006 X' ±	
SYM	NAME	DATE	REVISIONS	APPROVED BY:	Eisley	12/11-23'	.XXX ± 0.08/.003 XX' ±	
DRAWING NO. CI1410SE PART NO. CI14**M1HRL-NH								SCALE 8 / 1 SHEET 1 OF 2



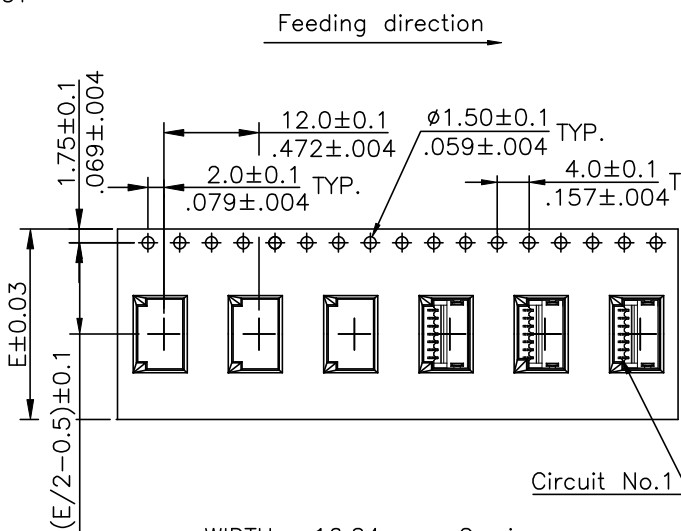
NOTES:

1. Reel Material : HIPS
2. 10 sprocket hole pitch cumulative tolerance ± 0.20
3. Carrier camber is within 1 mm in 250 mm.
4. Material : Transparent ps.
5. All dimensions meet EIA-481 requirements.
6. Thickness : 0.35 ± 0.05 mm.
7. Quantity : 1600 pcs.

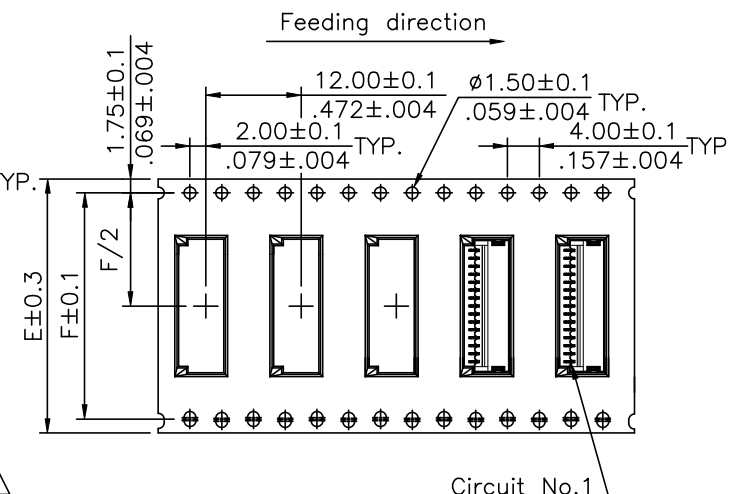
Circuits	Dimension					Packing (Reel/Carton)
	E	F	W1	W2	W3	
2-4	16.0(.630)	-	16.5(.650)	22.5(.886)	16.5(.650)	11
5-13	24.0(.945)	-	24.5(.965)	30.5(1.200)	24.5(.965)	9
14-20	32.0(1.260)	28.40(1.118)	32.5(1.280)	38.5(1.516)	32.5(1.280)	7



XI BANG



WIDTH : 16.24 mm Carrier



WIDTH : 32 mm Carrier

RoHS Compliant

SYM	NAME	DATE	REVISIONS	APPROVED BY:	DATE	UNIT: mm / inch	TITLE: 1.00MM(.039") WIRE TO BOARD CONNECTOR
4	Amy	12/11-23'	ECNT123179/ECRB123029				
3	Ellie	6/3-15'	ECNT115129/ECRH115027	DRAWN BY: Amy	12/11-23'	TOLERANCE UNLESS OTHERWISE SPECIFIED	MATERIAL:
2	Tim	12/20-10'	ECN10402	ENGINEER: Sun	12/11-23'		
1	Tim	10/21-10'	ECN10350	CHECKED BY: Eisley	12/11-23'	.XX ±	.X' ±
				APPROVED BY: Eisley	12/11-23'	.XXX ±	.XX' ±

XB 东莞市溪榜电子有限公司
DONG GUAN XI BANG ELECTRONICS CO., LTD.

DRAWING NO. C11410SE PART NO. C114**M1HRL-NH

SCALE SHEET 2 OF 2