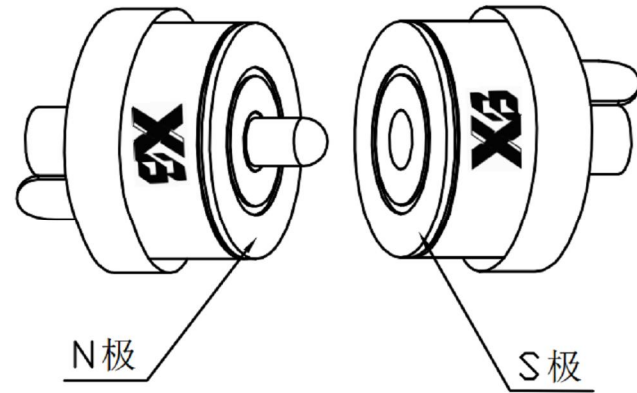
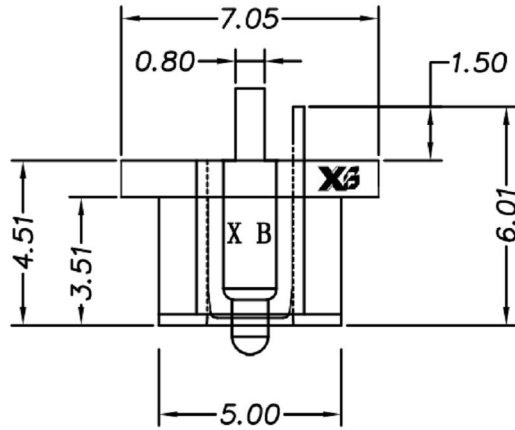
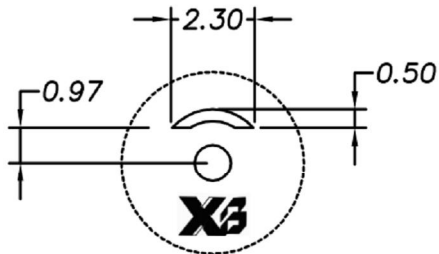


直径Φ, 5.0

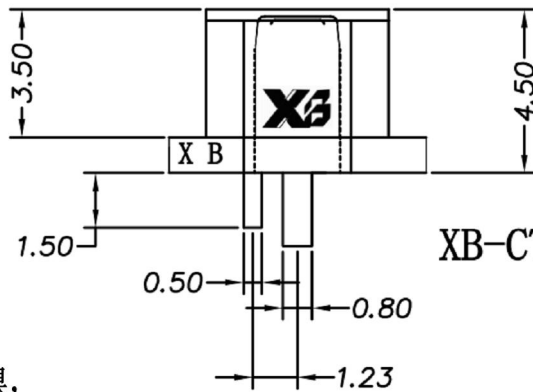
高度4.5



XB-CT-900-5-H4-N极



直径5.0



XB-CT-900-5-H4-S极

SPECIFICATION

- 1.Rating : DC 12V 30V, 1.0A 3.0A
- 2.Contact resistance : ≤30mΩ
- 3.Insulation resistance : ≥100MΩ
- 4.Withstand voltage : 500VAC
- 5.Insertion and extraction force : 3-20N
- 6.life test : 1,0000 cycles

正极镀金1-3U, 负极铜套镀镍, 黄铜, 磁铁镀镍,

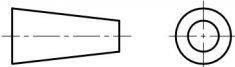
序号	产品名称	数量	材料	规格	处理
④	塑胶	1	PBT		BLACK
③	磁铁	1			Nickel-Plated
②	铜针	1	BRASS		Au-Plated
①	铜套	1	BRASS		Nickel-Plated



东莞市溪榜电子有限公司
DONG GUAN XI BANG ELECTRONICS CO., LTD

TITLE : XB DC Power Jack Magnetic suction

MODEL : XB-CT-900-5-H4



TOLERANCE
≤1.5mm ± 0.1
> 1.5mm ± 0.2
≥10.0mm ± 0.3

ANGLE TOL
± 2°

UNIT : MM	DWN.	ZENQ. CHEN	DATE	
SCALE : 3 : 1	CHK'D	DONG. PANG	DATE	
VERSTON	01	APPD.	FEL. LONG. HE	DATE

NO.	PART NAME	MATERIAL	QTY.	FINISHING
6	PIN	BRASS	1	Ni PLATED
5	TERMINAL	BRASS STRIP t=0.3	1	Ag PLATED
4	SPRING TERMINAL C	PBS STRIP t=0.25	1	Ag PLATED
3	TERMINAL B	BRASS STRIP t=0.3	1	Ag PLATED
2	TERMINAL A	BRASS STRIP t=0.3	1	Ag PLATED
1	HOUSING	PBT UL94-V0	1	BLACK
NO.	PART NAME	MATERIAL	QTY.	FINISHING