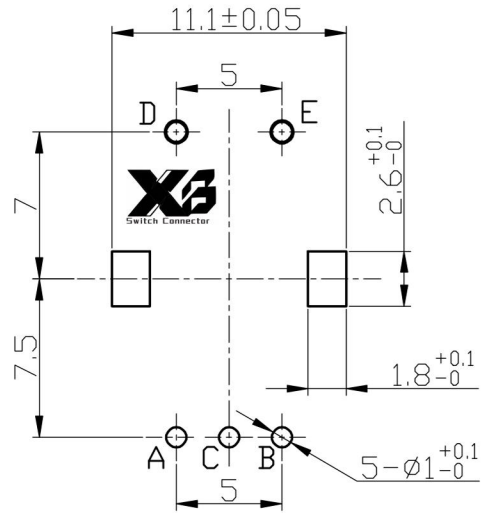
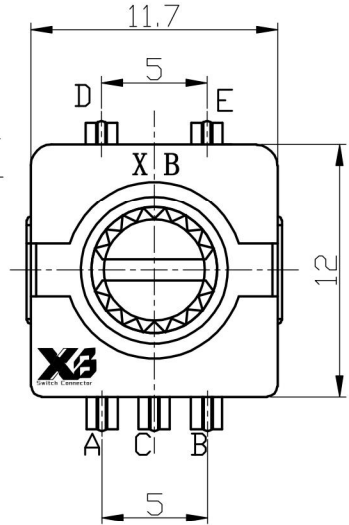
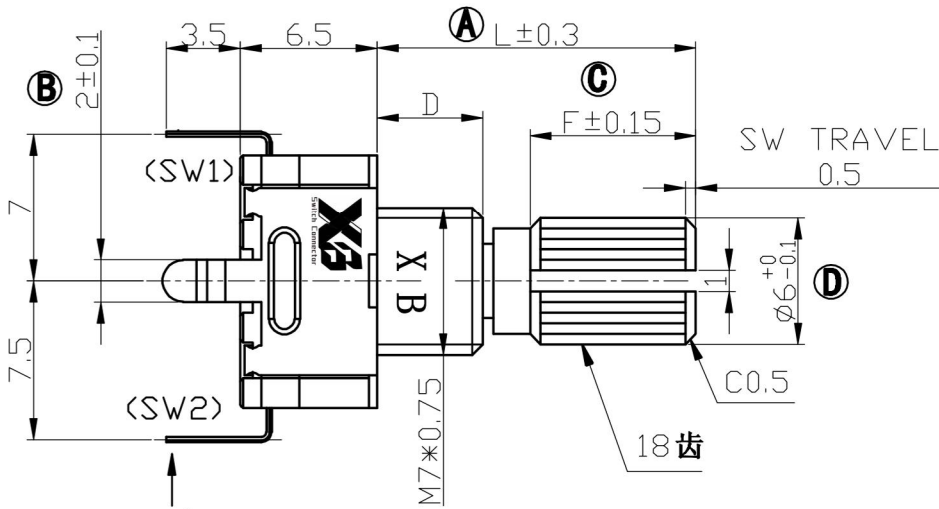
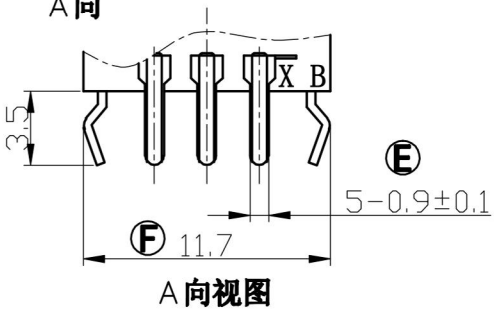


**ROHS**

**DIMENSIONS**

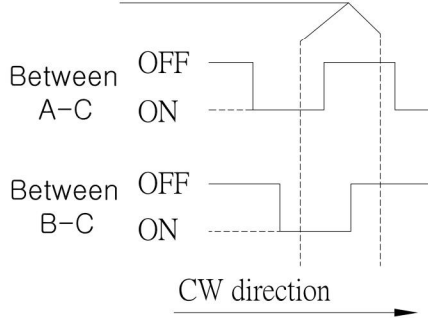


P.C.B MOUNTING HOLE DETAIL



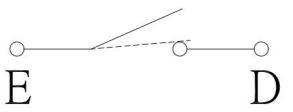
A向视图

(SW01) ENCODER  
(SW02) PUSH ON SW  
CLICK Position



(SW01) OUTPUT

(SW02)CIRCUIT DIAGRAM



(SW1) 迴路圈  
SWITCH CIRCUIT

<input checked="" type="checkbox"/>		
5	D=5.0	
7	D=7.0	

L	20
F	10

SPECIFICATION (INITIAL)	
RATING:	DC 5V 0.5mA 10mA
ANGLE:	FULL ROTATION ANGLE: 360 DEGREES
CONTACT RESIS TANCE:	100mΩ max
INSULATION RESISTANCE:	100MΩ DC 250V 1mA
WITHSTAND VOLTAGE:	300V AC/min or
OPERATION FORCE:	6 ± 3N 600gf ± 300gf
SWITCHING LIFE:	20,000 cycles

注：1、A—F为品管重点管控尺寸。

**XB** 东莞市溪榜电子有限公司  
DONG GUAN XI BANG ELECTRONICS CO., LTD

TOLERANCE UNLESS OTHERWISE STATED:  
Up to 5 ±0.2  
Above 5 ~ 15 ±0.3  
Above 15 ~ 30 ±0.4  
Above 30 ~ 50 ±0.5  
Angle ±0.3

3RD. ANGEL'S

UNITS MM

DRAWN BY: GAO PENG 07/23/13  
CHECKED BY: PANG DONG 07/23/13  
APPROVED BY: HE. LONG. FEI 07/23/13

MAT'L		TITLE	ENCODER
FINISH		MODLE	ENCODER W/I SWITCH
SCALE	1 : 1	DWG. NO.	XB-EC-1102S-A5
SHEET NO.	1 of 1	PART NO.	

ITEM NO.	DESCRIPTION	DRAWN	DATE
2	公差及料號更新	Jack	072313
1	圖面更新	Frank Wu	021012