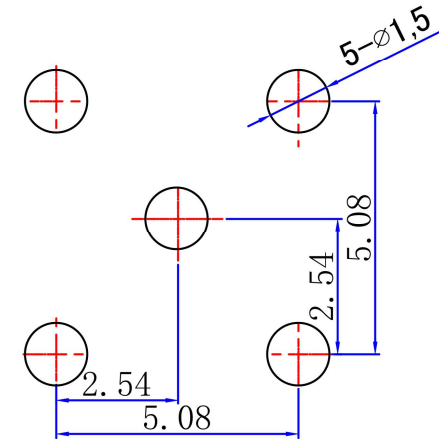
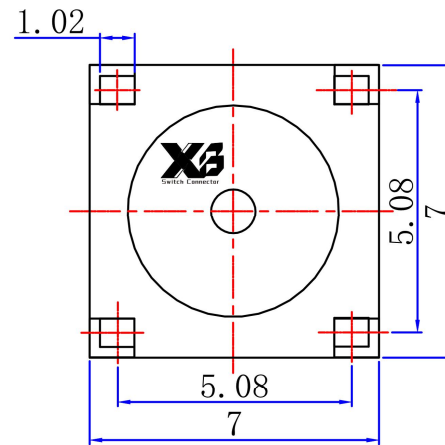
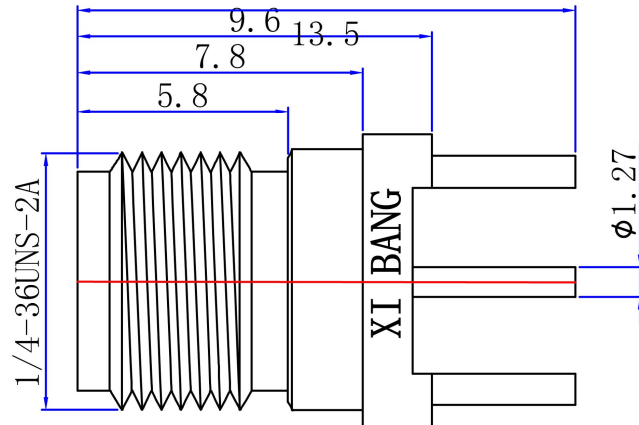




Product NO.		XB-806-0011		
REV	DESCRIPTION	DWN	DATE	APPROVEN
A	First issue	Mr.chen	2018/12/12	John kine



PCB

Specifications:

IMPEDANCE: 50 Ohms  
 Frequency range: 0~6GHZ  
 VSWR: 1.5MAX  
 Working voltage: 500V rms @ sea level  
 Insulation resistance: 5000 Ohms min  
 Temperature range: -65°C TO +165°C  
 Relative temperature: ≤95%(40° C±2° C)

1	Body	Brass	Au:1u"
2	Insulator	TEFLON	White
3	Center contact	Phosphor	Au:3u"
4			
5			
6			
7			
8			
9			
10			
NO	Component Number	Material	Finish

NOTE:		Tolerance	X.	±0.20
			X.X	±0.15
		View	X.XX	±0.08
			Angular	±5°
DRAWN		UNIT	MM	
Zelin.chen			2018/12/12	
CHECKED		SCALE	1:1	
John			12/12.2018	
APPROVALS		DateTime		
John		2018/12/12		

**东莞市溪榜电子有限公司**  
 Dong Guan Xi Bang Electronics Co., Ltd  
 Switch Connector

Name: SMA Jack FOR PCB Connector			
SIZE A	Product NO.	XB-806-0011	REV A
DateTime		CAD FILE	SHEET: 1 OF 1
2018/12/12		H/company drawings/BD	