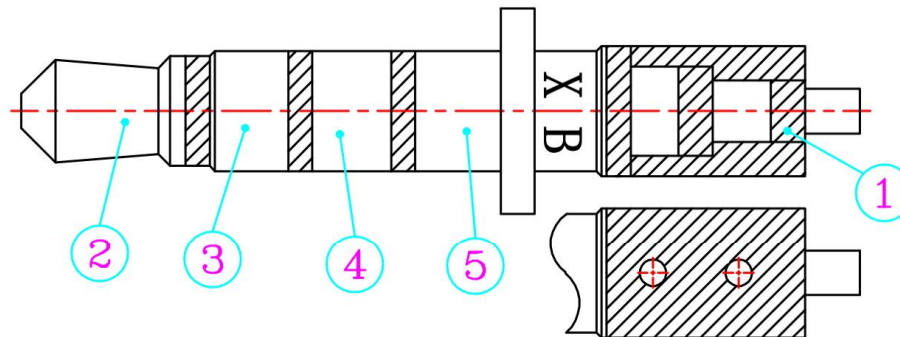
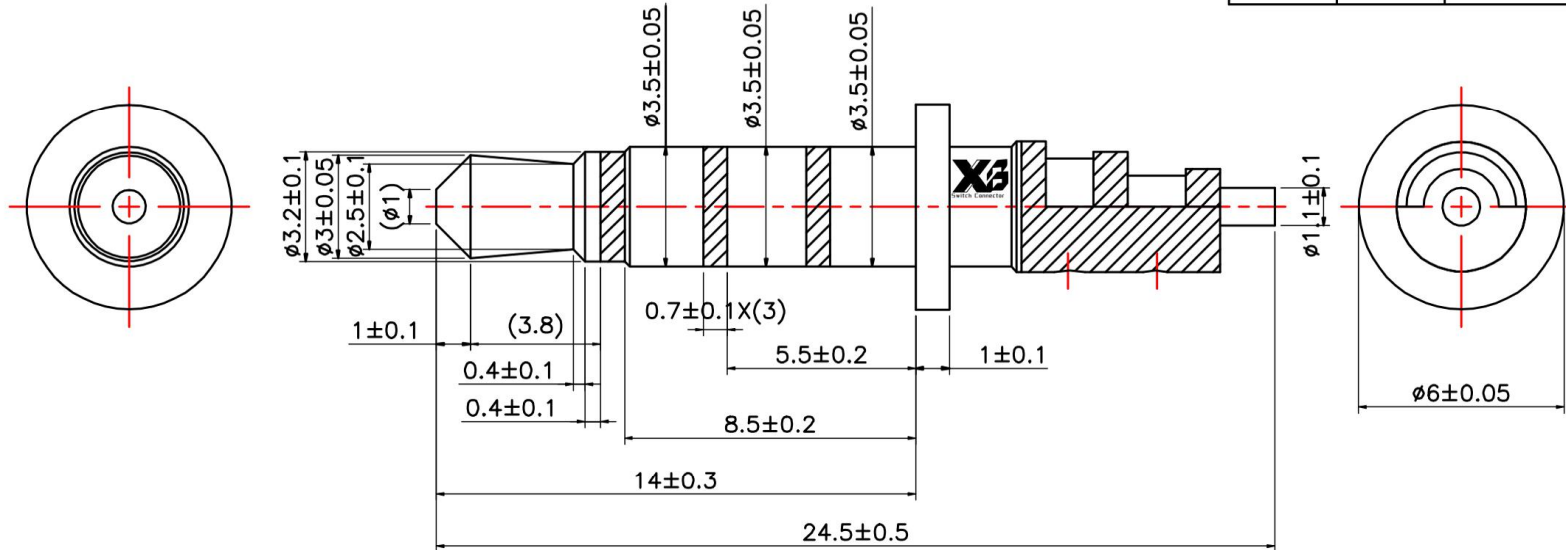


ROHS

版本 REV	修正标记 REV.LTR	修正前 BEFORE REVISION	修正后 AFTER REVISION	签名 SIGN	日期 DATE
V1.0		新版制定		贺龙飞	20180917



Technology Request:

- 1.Outlook:No burr, no hurt.
- 2.Electronic performance:
 - a:Insulation resistance: Above DC500V/100MΩ;
 - b:Endure voltage:AC500V at 1 minute;
 - c>Contact resistance:Under 30mΩ;
- 3.Insertion force & withdrawal force:0.3–3kgf.
- 4.Salt spray test:24H.
- 5.Meet RoHS.
- 6.Remark * is important specification.

单位 Unit	mm	一般公差 The general tolerance	7						
比例 Scale	5:1	xx.:±0.3	6						
视图 Third angle projection		x.x.:±0.1	5	四极管	C3604	Ni 1~3um Au1u*			
		.xx.:±0.05	4	三极管	C2680	Ni 1~3um Au1u*			
			3	二极管	C2680	Ni 1~3um Au1u*			
			2	R头	C3604	Ni 1~3um Au1u*			
			1	PLASTIC	POM	BLACK			
			NO.	PART	MATERIAL	PLATING			

核准 APPROVED BY	校对 CHECKED BY	制图 DRAWN BY
贺龙飞	赖海杰	龙柳婷

X3 东莞市溪榜电子有限公司
Switch Connector DONG GUAN XI BANG ELECTRONICS CO., LTD.

规格 DESCRIPTION:	3.5 4POLE PLUG Ø3.5*6.0*24.5
品名 P/N:	P35460245G
图号 DRAWN NO:	CP-05-0123