

PIN DEFINITION			
PIN	Signal Name	PIN	Signal Name
A1	GND	B12	GND
A2	TX1+	B11	RX1+
A3	TX1-	B10	RX1-
A4	VBUS	B9	VBUS
A5	CC	B8	SBU2
A6	D+	B7	D-
A7	D-	B6	D+
A8	SBU1	B5	VCONN
A9	VBUS	B4	VBUS
A10	RX2-	B3	TX2-
A11	RX2+	B2	TX2+
A12	GND	B1	GND

NOTES:

1.MATERIALI:

CONTACTS: Copper alloy T=0.15

INSULATOR: HIGH TEMPERATURE PLASTIC
UL 94V-0,

Shell: STEEL T=0.15

2.ELECTRICAL PERFORMANCE:

INSULATION RESISTANCE: 100Mohm MIN.

CONTACT RESISTANCE: 40mohm MAX.

DIELECTRIC WITHSTANDING: 100 VAC

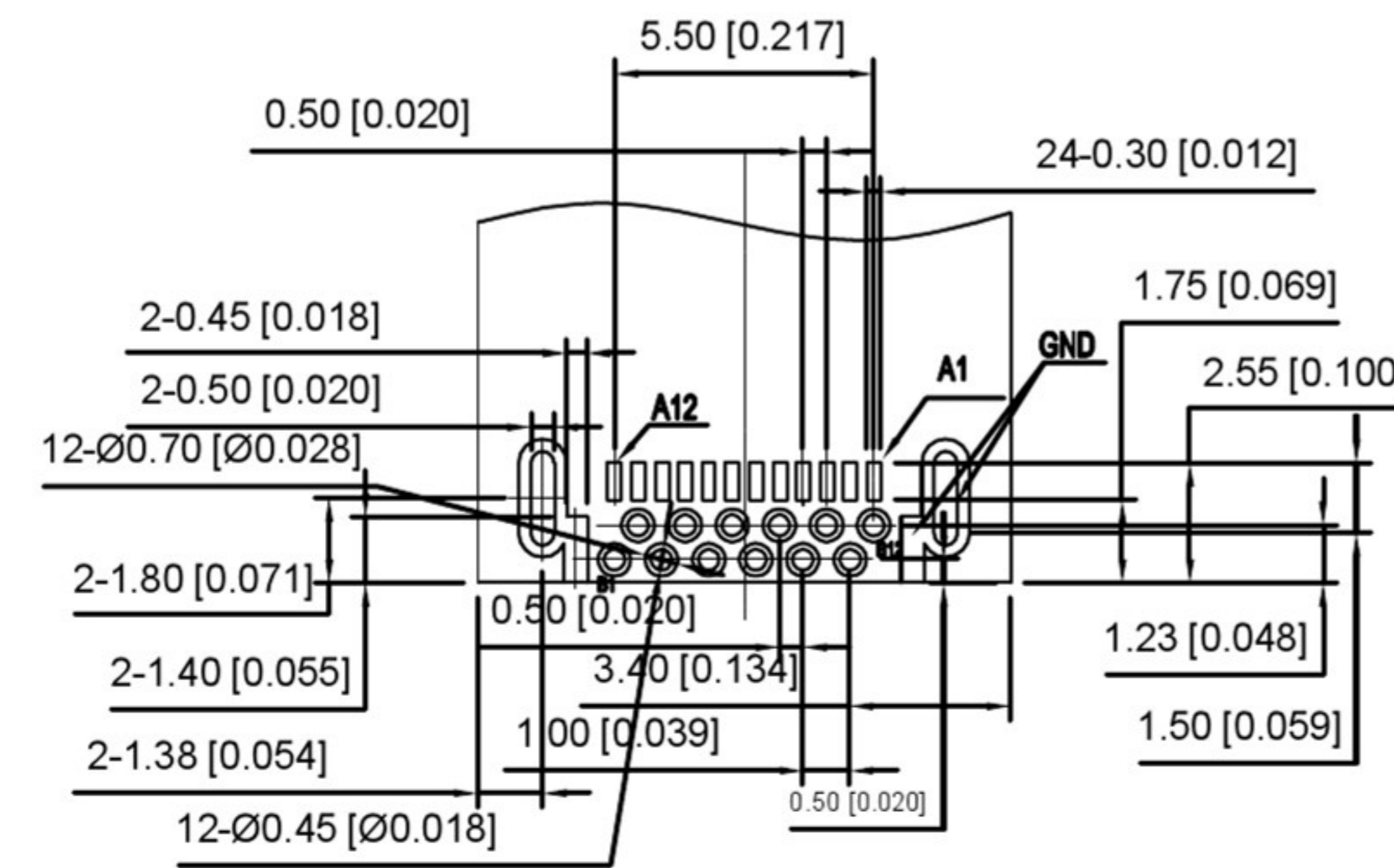
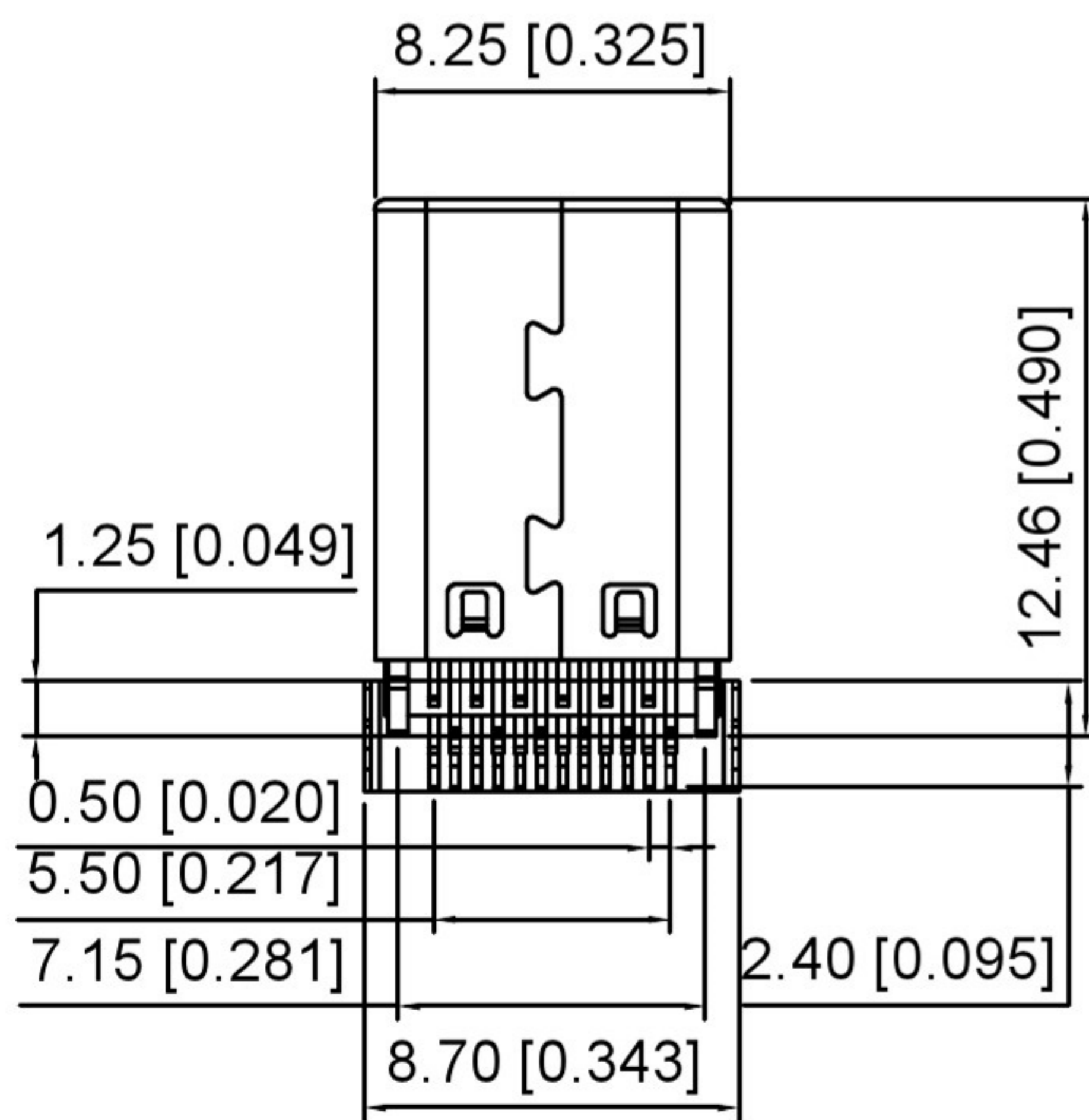
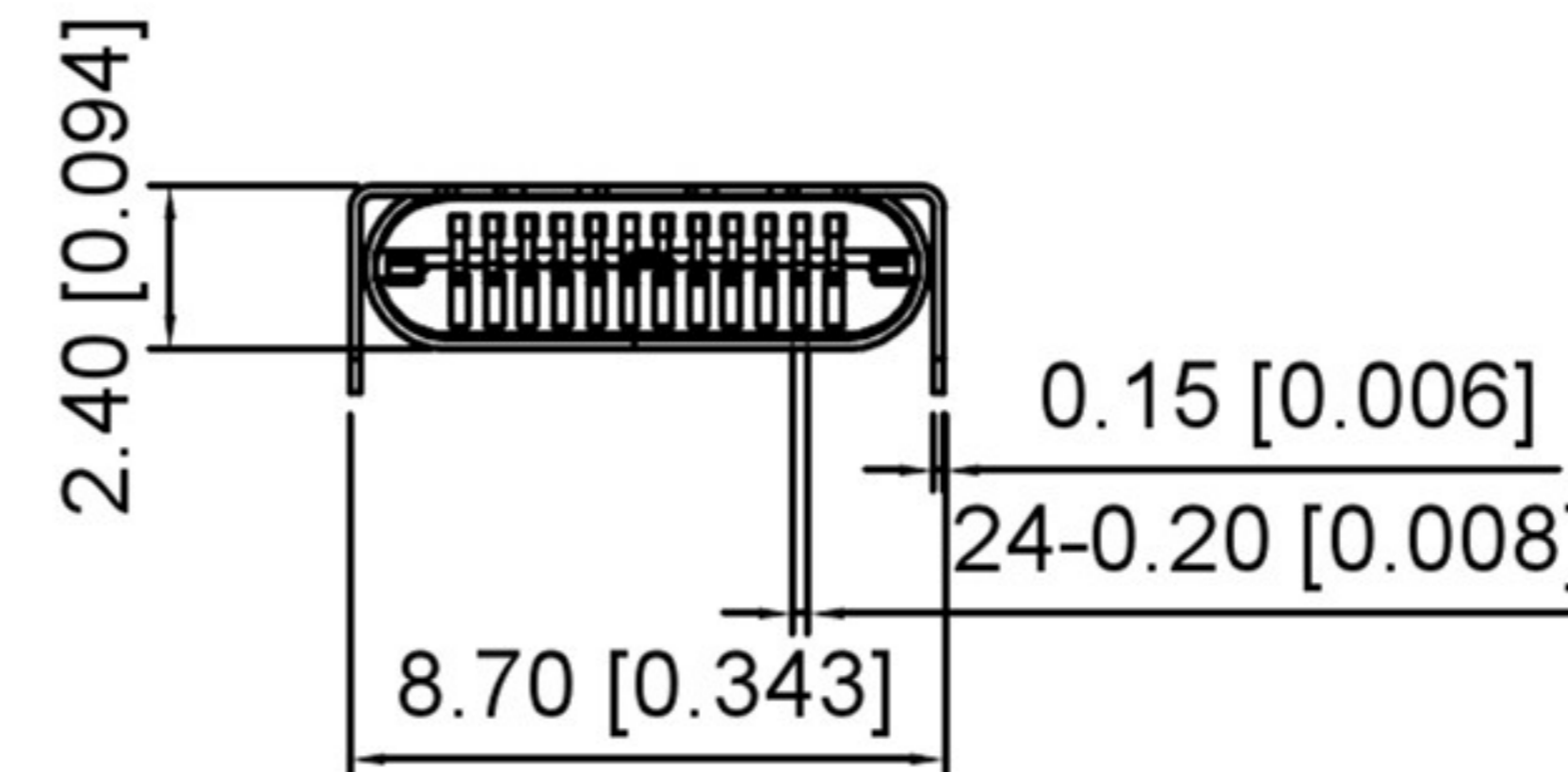
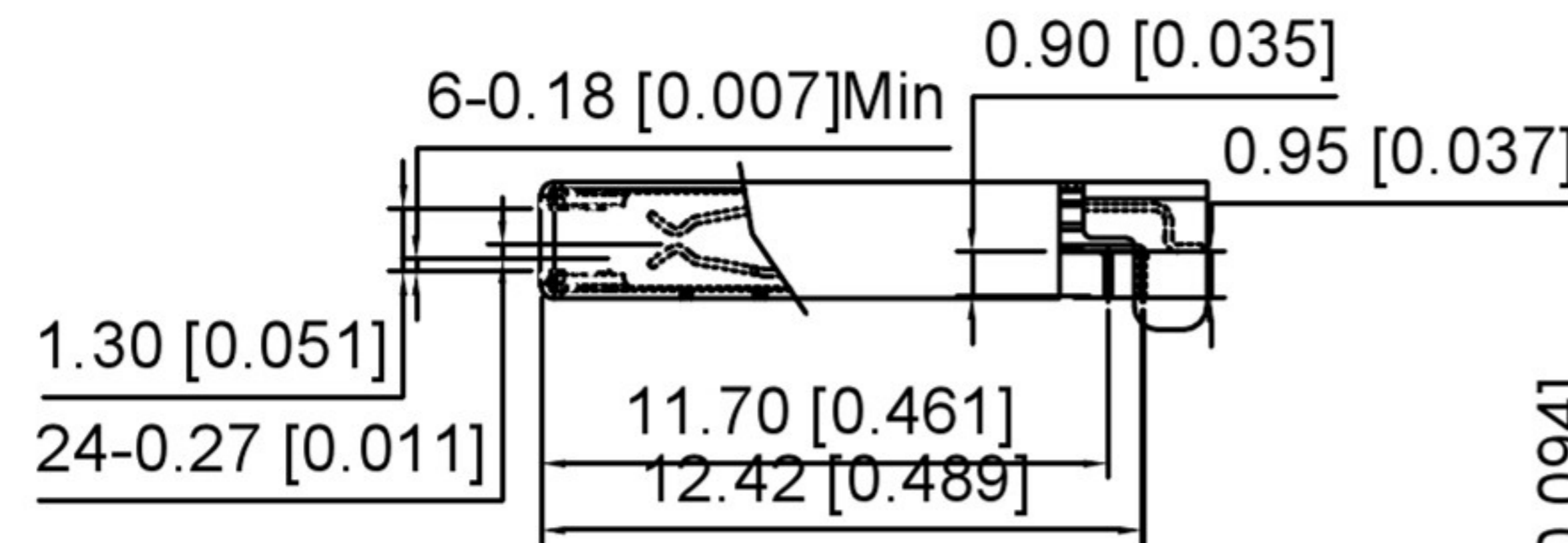
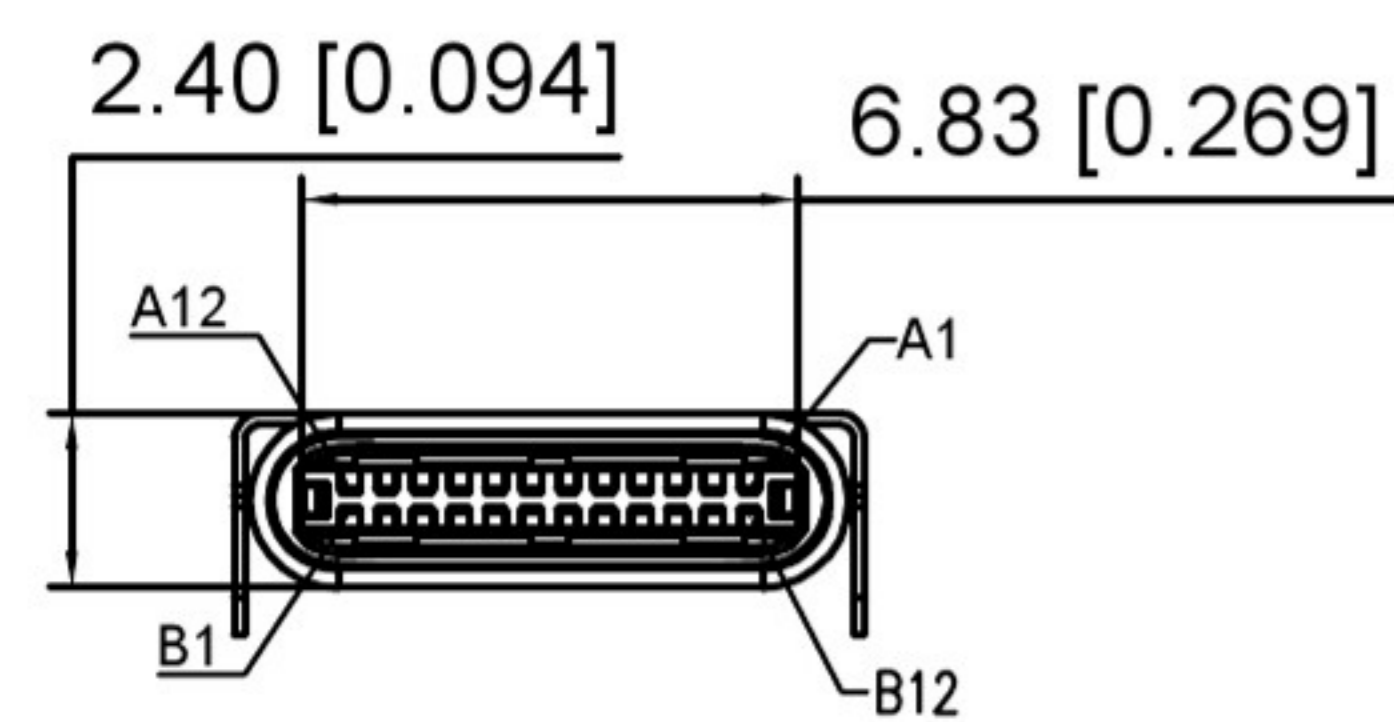
CURRENT RATING: 5A MIN.

3.MECHANICAL PERFORMANCE:

MATING FORCE: 5~20N

UNMATING FORCE: 8~20N

DURABILITY: 10000 CYCLES



Recommended P.C.B Layout
Tolerance ±0.05

U261-24XN-4BC2LS

- 1: Au 1U" MIN
- 2: Au 15U" MIN
- 3: Au 30U" MIN

- 1: WITH
- 2: WITHOUT

- B: BLACK
- U: BLUE
- W: WHITE
- C: CREAM-COLOR

- 1: PBT
- 2: PA6T
- 3: PA9T
- 4: LCP

REVISIONS				ANGULAR	±5°		DSND	SCALE: N/A	MODEL TYPE: Type-C 3.1	
www.alpsr.com www.gdxjdz.com www.xbswitch.com				L ≤ 4	±0.2		DWN	VIEW:	PART NO.:	
				4 < L ≤ 16	±0.3		CHKD	UNIT: mm/in	DWG NO.:	
				16 < L ≤ 63	±0.4		APPD	SIZE: A4	XB-U261-24XN-4BC2LS	
				L > 63	±0.5		UNSPECIFIED TOLERANCES		WEIGHT	SHEET
DONG GUAN XI BANG ELECTRONIC CO., LTD									1/1	A0